

# Inductive Sensors

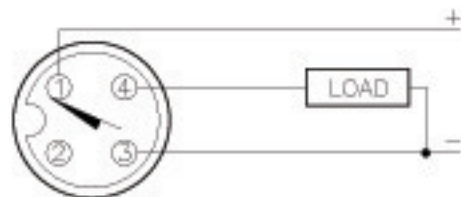


Housing Style	Part Number	ID Number	Features	Sensing Range (mm)	Output
<b>6.5 mm - Nonembeddable, Miniature Smooth, picofast® Quick Disconnect</b> 	Ni 6U-EH6.5-AP6X-V1131	S4631510	Uprox+	6	3-Wire DC PNP
<b>12 mm - Embeddable, Potted-In Cable</b> 	Bi 5U-Q12-AN6X2	M1635523	Uprox+	5	3-Wire DC NPN
	Bi 5U-Q12-AP6X2	M1635522	Uprox+	5	3-Wire DC PNP
<b>12 mm - Embeddable, eurofast® Connection</b> 	Bi 5U-Q12-AN6X2-H1141	M1635527	Uprox+	5	3-Wire DC NPN
	Bi 5U-Q12-AP6X2-H1141	M1635526	Uprox+	5	3-Wire DC PNP
<b>12 mm - Embeddable, picofast Connection</b> 	Bi 5U-Q12-AN6X2-V1131	M1635525	Uprox+	5	3-Wire DC NPN
	Bi 5U-Q12-AP6X2-V1131	M1635524	Uprox+	5	3-Wire DC PNP

Voltage	Switching Freq. (Hz)	Operating Current (mA)	Operating Temp. (°C)	Protection	Housing	Face	Power LED	Output LED	Mating Cordset	Wiring Diagram #	Wiring Diagrams
10-30 VDC	1000	≤150	0 to +70	IP 68	SS	PA 12	N/A	YE	PKG 3Z-*	1	<p><b>Diagram 1</b></p>
10-30 VDC	1000	≤200	-25 to +70	IP 68	PA 12	LCP	GN	YE	2M/PVC	2	<p><b>Diagram 2</b></p>
10-30 VDC	1000	≤200	-25 to +70	IP 68	PA 12	LCP	GN	YE	2M/PVC	3	<p><b>Diagram 3</b></p>
10-30 VDC	1000	≤200	-25 to +70	IP 68	PA 12	LCP	GN	YE	RK 4T-*	4	<p><b>Diagram 4</b></p>
10-30 VDC	1000	≤200	-25 to +70	IP 68	PA 12	LCP	GN	YE	RK 4T-*	5	<p><b>Diagram 5</b></p>
10-30 VDC	1000	≤200	-25 to +70	IP 68	PA 12	LCP	GN	YE	PKG 3Z-*	6	<p><b>Diagram 6</b></p>
10-30 VDC	1000	≤200	-25 to +70	IP 68	PA 12	LCP	GN	YE	PKG 3Z-*	1	

\* Length in meters.

WIRING DIAGRAM

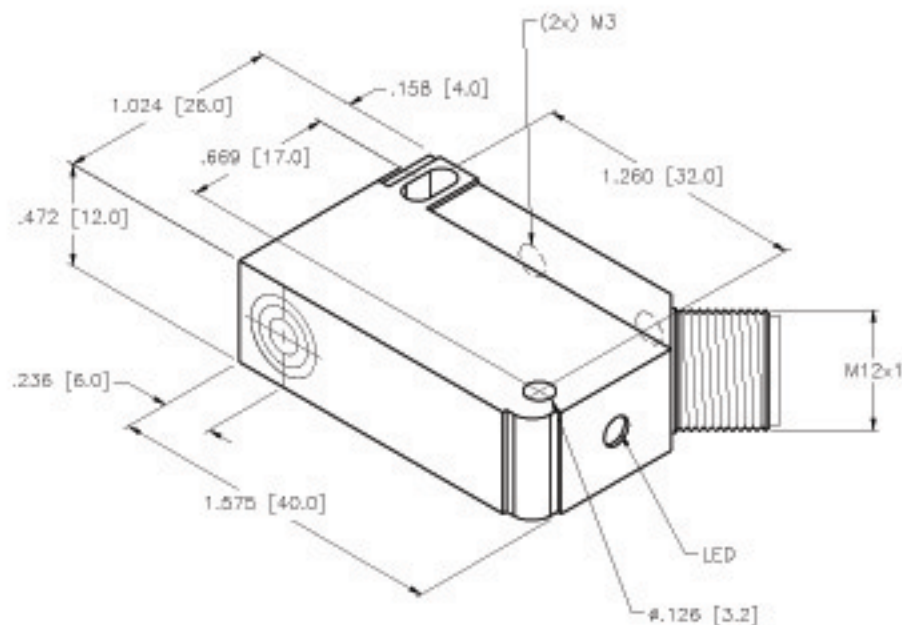


OUTPUT: AP6X2

SHORT-CIRCUIT AND OVERLOAD PROTECTED

SPECIFICATIONS

RATED OPERATING DISTANCE(Sn)	5mm = .197" (NOMINAL)
MOUNTING MODE	FLUSH
DIFFERENTIAL TRAVEL (HYSTERESIS)	3-15%
MIN. REPEAT ACCURACY	≤ 2%
TEMPERATURE DRIFT	≤ ± 10%
OPERATING TEMPERATURE	-25°C to +70°C (-13°F to +158°F)
RATED OPERATIONAL VOLTAGE	10-30 VDC
RIPPLE	≤10%
RATED OPERATIONAL CURRENT	≤ 200 mA
NO-LOAD CURRENT	≤ 15 mA
RESIDUAL CURRENT	≤0.1 mA
RATED INSULATION VOLTAGE	≤0.5 kV
SHORT-CIRCUIT PROTECTED	YES, CYCLIC
MAX. VOLTAGE DROP	≤ 1.8 V
WIRE BREAKAGE PROTECTION	INCORPORATED
REVERSE POLARITY PROTECTION	INCORPORATED
OUTPUT FUNCTION	3-WIRE, NORMALLY OPEN, PNP
MAX. SWITCHING FREQUENCY	≤1.0 kHz
HOUSING MATERIAL	PLASTIC, PA12-GF20
ACTIVE FACE MATERIAL	PLASTIC, PA12-GF20
CONNECTION	M12x1
VIBRATION	55 Hz, 1 mm AMPLITUDE (IN ALL 3 PLANES)
SHOCK	30 g, 11 ms
PROTECTION DEGREE	IP68
OPERATING VOLTAGE DISPLAY	LED: GREEN
SWITCHING STATUS INDICATION	LED: YELLOW



SOURCE DRAWING - FOR REFERENCE ONLY

CABLE LENGTH	TOLERANCE
ALL LENGTHS	+ .45 (OR 50mm) OF LENGTH - .05 (OR 5mm) OF LENGTH WHICHEVER IS GREATER
STRIP LENGTH	TOLERANCE
0-7mm	±0.2mm
8-29mm	±1.0mm
30-39mm	±1.0mm
40-49mm	±1.0mm
50-59mm	±1.0mm
60-69mm	±1.0mm
70-79mm	±1.0mm
OVER 100mm	±1.0mm

RELATED DOCUMENTS	3RD ANGLE PROJECTION	THIS DRAWING IS PROPERTY OF TURCK INC. USE OF THIS DOCUMENT WITHOUT WRITTEN PERMISSION IS PROHIBITED.		 High Technology Sensors and Automation Controls	
1.		DRFT	RDS	DATE 10/13/06	DESCRIPTION
2.		USDR	AF	SCALE 1=.8	BI 5U-Q12-AP6X2-H1141
3.	TOLERANCES UNLESS OTHERWISE SPECIFIED	UNIT OF MEASUREMENT		IDENTIFICATION NO.	REV
4.	.X ±0.02 .XX ±0.01 .XXX ±0.005 ANGLES ±1° ALL MILLIMETER DIMENSIONS ARE REFERENCE ONLY	<b>INCH [ MILLIMETER ]</b>		M1635526	A
MATERIAL	SEE NOTES	DO NOT SCALE THIS DRAWING		FILE: M1635526	SHEET 1 OF 1
FINISH	SEE NOTES				

A	DRAWING RELEASE	RDS	10/13/06	
REV	DESCRIPTION	BY	DATE	EDD NO.